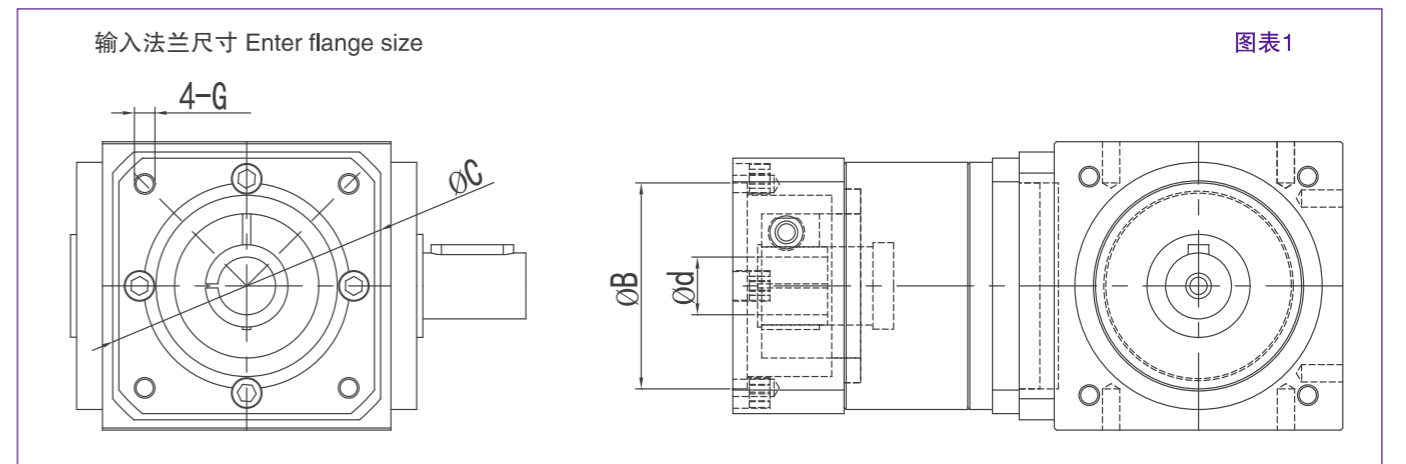
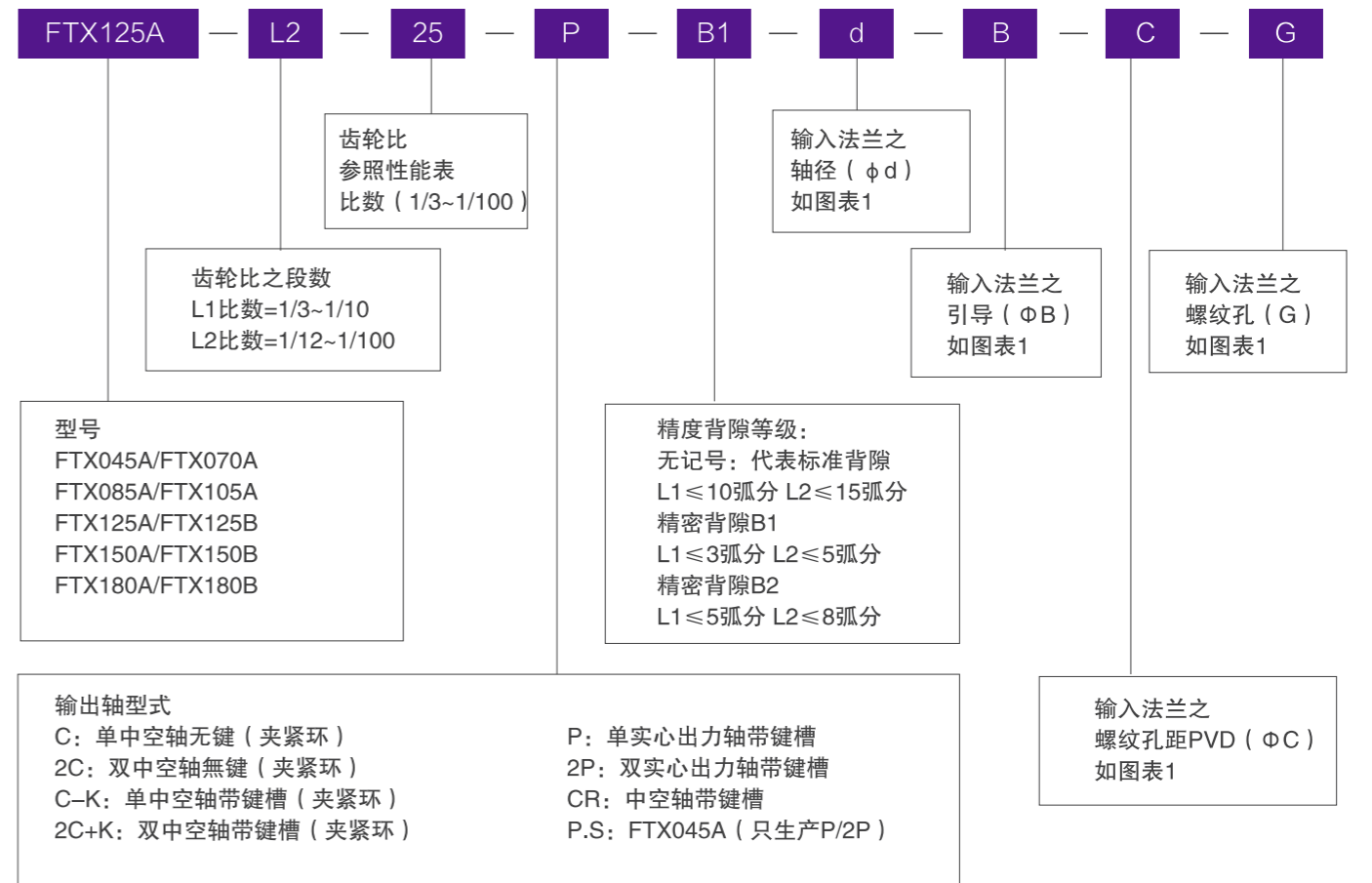
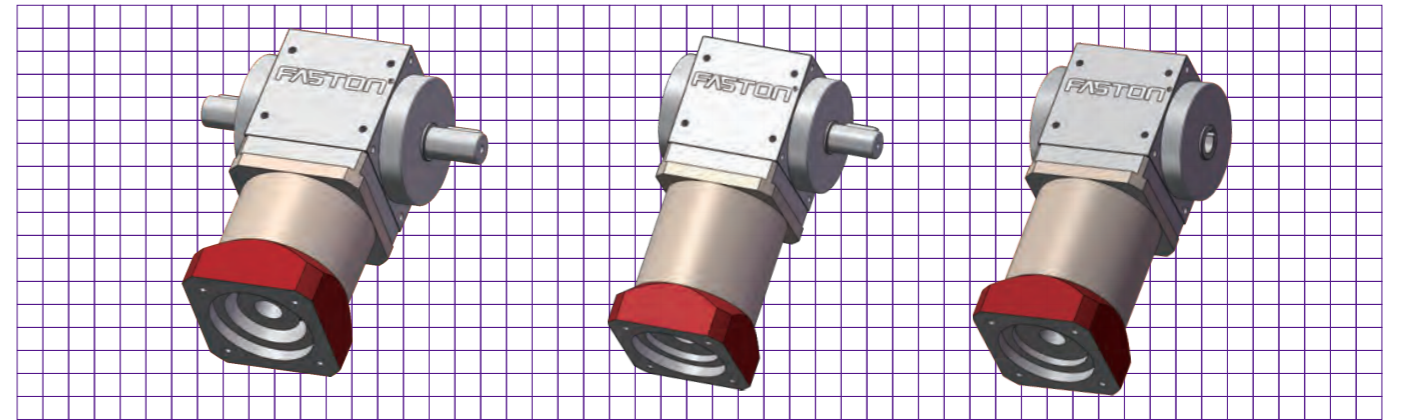


FTX-A标准型输入带行星直角减速器 减速比:1/3~1/100



产品规格 PRODUCT SPECIFICATION

节数 Stage	比数 ¹ Ratio ^A	FXW-055A	FTX-070A	FTX-085AY		FTX-105A	FTX-125A	FTX-125B	FTX-150A	FTX-150B	FTX-180A	FTX-180B		
		FXW-045A	FTX-085A	FTX-110A	FTX-135AS	FTX-135BS	FTX-150A	FTX-180A	FTX-180B					
1段 (L1)	3,10	13	30	30	110	160	330	160	650	330	1200	650		
	4,5	20	35	35	110	160	330	160	650	330	1200	650		
	6	---	---	---	110	140	280	140	550	280	1100	550		
	7	---	---	35	35	110	140	280	140	500	1100	500		
	8	13	---	---	---	110	115	230	115	450	---	450		
2段 (L2)	9	---	---	---	---	---	230	---	400	230	---	400		
	12,15,40 50,60,70 80,90,100	13	35	35	110	115	230	115	400	230	900	400		
	16,20,25	20	35	50	110	160	330	160	650	330	1200	650		
	28,30 35,49	13	35	42	110	140	280	140	500	280	1100	500		
P.S: 1. (FTX045A/055A) 无生产之比数: (3, 6, 9, 30, 60, 80, 90, 100) 2. (FTX070A/FTX085A/FTX180A) 无生产之比数: 1/6, 1/8 3. (FTX055A/FTX070A/FTX085A/FTX085AY/FTX105A/FTX180A) 无生产之比数: 1/9														
最大加速 转矩 (Nm)	L1,L2	3~100	1.5倍额定输出力矩 1.5 Times of Rated Output Torque											
瞬间输出转矩 (Nm) (容许3秒内短时间)	L1,L2	3~100	3倍额定输出力矩 3 Times of Rated Output Torque											
输入转速 (rpm)	L1,L2	3~100	3000	3000	3000	3000	3000	3000	2000	2000	2000	2000		
标准背隙 (arc-min)	L1	3~10	≤10	≤10	≤10	≤10	≤10	≤10	≤10	≤10	≤10	≤10		
	L2	12~100	≤15	≤15	≤15	≤15	≤15	≤15	≤15	≤15	≤15	≤15		
精密背隙 B2 (arc-min)	L1	3~10	≤8	≤5	≤5	≤5	≤5	≤5	≤5	≤5	≤5	≤5		
	L2	12~100	≤10	≤8	≤8	≤8	≤8	≤8	≤8	≤8	≤8	≤8		
精密背隙 B1 (arc-min)	L1	3~10	---	≤3	≤3	≤3	≤3	≤3	≤3	≤3	≤3	≤3		
	L2	12~100	---	≤5	≤5	≤5	≤5	≤5	≤5	≤5	≤5	≤5		
容许径向力 (N)	L1,L2	3~100	1100	3250	3250	5850	9100	9100	14300	14300	19500	19500		
容许轴向力 (N)	L1,L2	3~100	650	1625	1625	2925	4550	4550	7150	7150	9750	9750		
效率 (%)	L1	3~10	90%											
	L2	12~100	85%											
重量 (kg)	L1	3~10	1.5	1.8	3.2	5.2	7.6	10.5	17.0	13.5	31	25.5	56.5	37.5
	L2	12~100	1.8	2.1	4.0	5.8	8.6	11.2	19.5	14.2	35.5	28.5	63.5	42.0
工作温度 (°C)	L1,L2	3~100	-10°C~+80°C											
润滑油	L1,L2	3~100	合成润滑油 Fully Synthetic Grease											
安装方向	L1,L2	3~100	任意方向											
噪音值 (db)	L1,L2	3~100	≤63	≤68	≤68	≤70	≤70	≤70	≤72	≤70	≤73	≤72	≤75	≤73

- (1) 噪音值测量(分贝表距离齿轮箱1M位置/转速2000RPM测试): (2000以上噪音值会增大)
- (2) 背隙值测量(在2%额定转矩的力矩下所测量)
- (3) 连续使用超过(12时/日)会降低寿命1/2(依照P3选定)

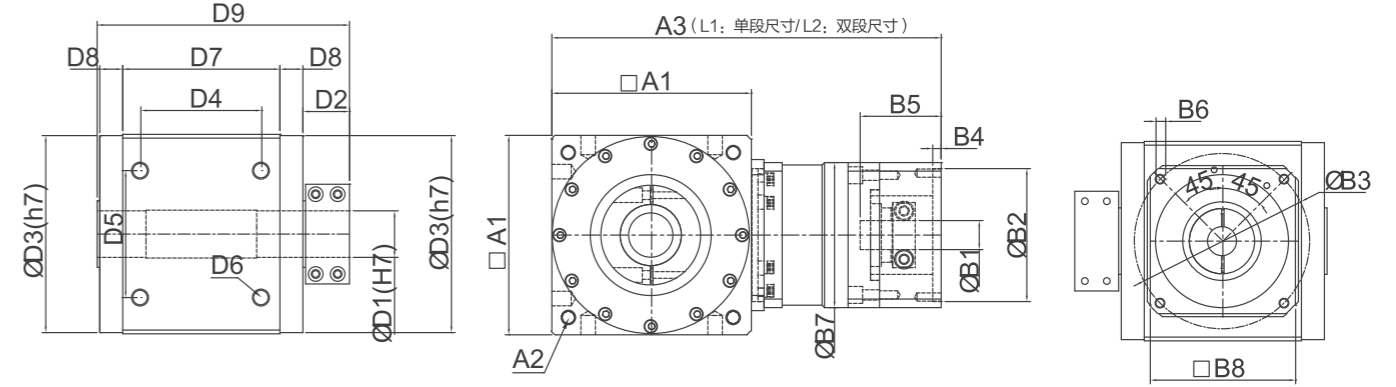
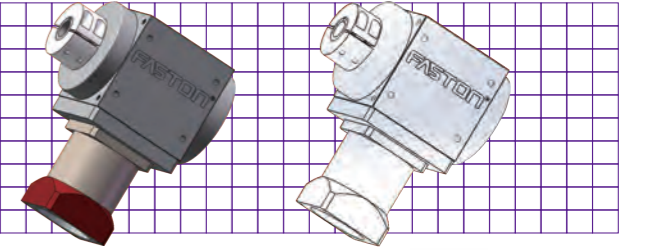
- (1) Noise value measurement (the decibel meter is 1M away from the input box, and the input speed is 2000RPM test): (the noise value will increase if the input speed is above 2000)
- (2) Backlash value measurement (measured at a torque of 2% of the rated torque)
- (3) Continuous use over (12 o'clock/day) will reduce life by 1/2 (selected according to P3)

减速机转动惯量 Rotary Inertia of Reducer

节数 Stage	惯量单位 Unit of inertia	比数 ¹ Ratio ^A	FTX-085A	FTX-085AY	FTX-070A	FTX-110AS	FTX-135AS	FTX-135BS	FTX-150A	FTX-180A	FTX-180B	
			FTX-085A	FTX-085AY	FTX-070A	FTX-110AS	FTX-135AS	FTX-135BS	FTX-150A	FTX-180A	FTX-180B	
1段 (L1)	(kg-cm ²)	3	0.042	0.69	0.69	4.52	4.52	6.35	13.15	6.35	38.96	13.15
		4,5,6	0.032	0.56	0.56	3.82	3.82	5.28	12.62	5.28	37.68	12.62
		7,8	0.028	0.45	0.45	3.75	3.75	4.98	12.06	4.98	37.24	12.06
		9,10	0.027	0.44	0.44	3.72	3.72	4.87	11.88	4.87	36.65	11.88
2段 (L2)	(kg-cm ²)	12,15,16 20,25,30	0.032	0.56	0.56	3.82	3.82	5.28	12.62	5.28	12.62	12.62
		28,35,49	0.028	0.45	0.45	3.75	3.75	4.98	12.06	4.98	12.06	12.06
		40,50,60 70,80,90 100	0.027	0.44	0.44	3.72	3.72	4.87	11.88	4.87	11.88	11.88

性能资料 PERFORMANCE DATA

FTX-A输入带行星直角减速器
FTX-A input with planetary right angle reducer
减速比ratio 1/3~1/100
C单中空轴(夹紧环)型式



尺寸 Size	FTX070A	FTX085A	FTX85AY	FTX105A	FTX125A	FTX125B	FTX150A	FTX150B	FTX180A	FTX180B
D1	13	15	15	25	30	30	40	65	*40/50	*40/50
D2	20	26	26	27	26	26	35	36.5	40.5	40.5
D3	66	82	82	100	120	120	135	195	165	165
D4	54	68	68	80	100	100	120	141	141.42	141.42
D5	50	52	52	60	80	80	100	130	141.42	141.42
D6	4-M5*P0.8	4-M6*P1.0	4-M6*P1.0	4-M8*P1.25	4-M8*P1.25	4-M8*P1.25	4-M10*P1.5	4-M14*P2.0	4-M12*P1.75	4-M12*P1.75
D7	70	85	85	105	125	125	142	142	180	180
D8	16.5	15.5	15.5	18.5	19.5	19.5	20	13	21	21
D9	125	144	144	171	192	192	227	204	264.5	264.5
A1	70	85	85	105	125	125	142	168	180	180
A2	P.C.D φ 86 4-M5*P0.8	P.C.D φ 100 4-M6*P1.0	P.C.D φ 100 4-M6*P1.0	P.C.D φ 118 4-M8*P1.25	P.C.D φ 145 4-M8*P1.25	P.C.D φ 145 4-M8*P1.25	P.C.D φ 185 4-M10*P1.5	P.C.D φ 240 4-M16*P2.0	P.C.D φ 200 4-M12*P1.75	P.C.D φ 200 4-M12*P1.75
A3 (L1: 单段尺寸)	159	177	210	232	290	266	342	322	409	367
A3 (L2: 单段尺寸)	180	198	237	259	321	293	388	353	455	413
B1	6,35,8,9 11,14	6,35,8,9 11,14, 16,19	14,16,19 22,24,28 32,35	14,16,19 22,24,28 32,35	19,22,24 28,32,35 38,42	11,14,16 19,22,24	19,22,24 28,32 35,38	22,24,28 32,35,38 42,55	19,22,24 28,32,35 38,42	19,22,24 32,35 38,42
B2	30,38,1, 40,50,60	30,36,38,1 40,50 60,70	70,80,95 110,114.3 130	70,80,95 110,114.3 130	95,110 114.3,130 180	50,60,70 80,95,110	95,110 114.3,130 180	110,114.3 130,165 180,200	110,114.3 130,180 200	95,110 114.3,130 180
B3	45,46,66.7 70,70.7,75	45,46,66.7 70,70.7 75,90	90,115,130 145,165 200	90,115,130 145,165 200	115,130 145,165 200,215	70,75,90 100,115 130,145	115,130 145,165 200,215	130,145 165,200 215,235	130,145 165,200 215,235	115,130 145,165 200,215
B4	4	4,5	6	6	7	6	7	10	7	7
B5	≤31	≤41	≤62	≤62	≤80	≤62	≤80	≤117	≤86	≤81
B6	M3,M4,M5	M3,M4 M5,M5	M4,M5 M6,M6	M4,M5 M6,M6	M6,M8 M10,M12	M5,M6 M8	M6,M8 M10,M12	M8,M10 M12	M8,M10 M12	M6,M8 M10,M12
B7	60	60	90	90	120	90	142	182	182	142
B8	62	62,80,90	90,115,120	90,115,120	120,140,178	90,115,120	120,142 178,192	120,140,178	182,200,220	120,142 178,192

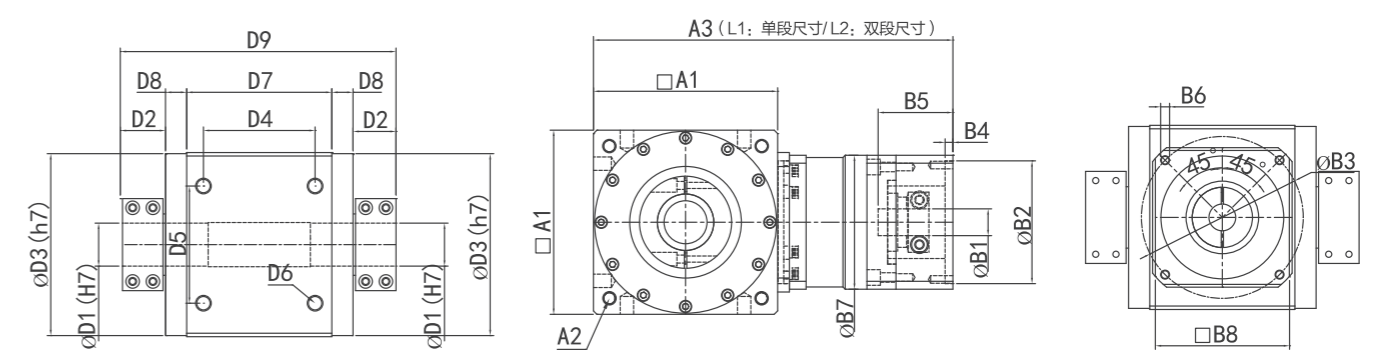
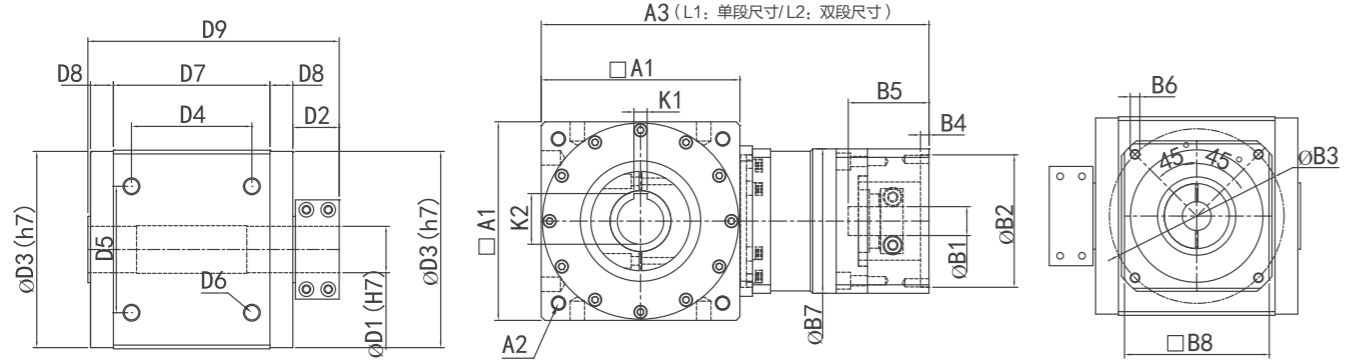
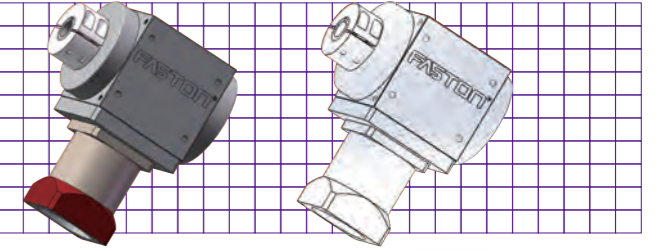
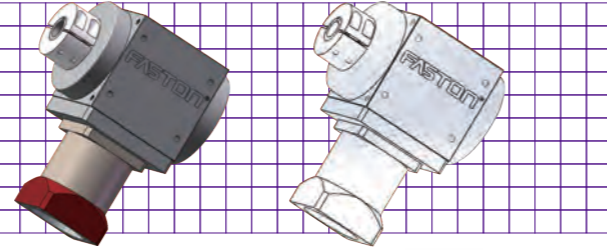
- 1. (*) 新增中空轴孔径(mm)。2. 实际尺寸依2D/3D图档为准。3. 连续使用12时/日以上寿命将缩短为1/2。
- 1. (*) Added hollow shaft bore (mm). 2. The actual size is subject to the 2D/3D drawing file. 3. The service life will be shortened to 1/2 when used continuously for 12 hours/day.

性能资料 PERFORMANCE DATA

性能资料 PERFORMANCE DATA

FTX-A输入带行星直角减速器
FTX-A input with planetary right angle reducer
减速比ratio 1/3~1/100
C-K单中空轴带键槽（夹紧环）型式

FTX-A输入带行星直角减速器
FTX-A input with planetary right angle reducer
减速比ratio 1/3~1/100
2C双中空轴（夹紧环）型式



尺寸 Size	FTX070A	FTX085A	FTX85AY	FTX105A	FTX125A	FTX125B	FTX150A	FTX150B	FTX180A	FTX180B
D1	13	15	15	22	28	28	35	35	*40/50	*40/50
D2	20	26	26	27	26	26	35	35	40.5	40.5
D3	66	82	82	100	120	120	135	135	165	165
D4	54	68	68	80	100	100	120	120	141.42	141.42
D5	50	52	52	60	80	80	100	100	141.42	141.42
D6	4-M5*P0.8	4-M6*P1.0	4-M6*P1.0	4-M8*P1.25	4-M8*P1.5	4-M8*P1.25	4-M10*P1.5	4-M10*P1.5	4-M12*P1.75	4-M12*P1.75
D7	70	85	85	105	125	125	142	142	180	180
D8	16.5	15.5	15.5	18.5	19.5	19.5	20	20	21	21
D9	125	144	144	171	192	192	227	227	264.5	264.5
A1	70	85	85	105	125	125	142	142	180	180
A2	P.C.D φ 86 4-M5*P0.8	P.C.D φ 100 4-M6*P1.0	P.C.D φ 100 4-M6*P1.0	P.C.D φ 118 4-M8*P1.25	P.C.D φ 145 4-M8*P1.25	P.C.D φ 145 4-M8*P1.25	P.C.D φ 185 4-M10*P1.5	P.C.D φ 185 4-M10*P1.5	P.C.D φ 200 4-M12*P1.75	P.C.D φ 200 4-M12*P1.75
A3 (L1; 单段尺寸)	159	177	210	232	290	266	342	322	409	367
A3 (L2; 单段尺寸)	180	198	237	259	321	293	388	353	455	413
K1	4	5	5	6	8	8	10	10	12/14	12/14
K2	14.7	17.3	17.3	24.8	31.3	31.3	38.3	38.3	43.3/53.5	43.3/53.5
B1	6.35,8,9 11,14	6.35,8,9 11,14, 16,19	14,16,19 22,24,28 32,35	14,16,19 22,24,28 32,35	19,22,24 28,32,35 38,42	11,14,16 19,22,24	19,22,24 28,32,35 38,42	16,19,22 24,28,32 35,38	19,22,24 28,32,35 38,42	19,22,24 28,32,35 38,42
B2	30,38,1, 40,50,60	30,36,38,1 40,50 60,70	70,80,95 110,114.3 130	70,80,95 110,114.3 130	95,110 114.3,130 180	50,60,70 80,95,110	95,110 114.3,130 180	70,80,95 110,114.3 130	110,114.3 130,165 180,200	95,110 114.3,130 180
B3	45,46,66.7 70,70.7,75	45,46,66.7 70,70.7 75,90	90,115,130 145,165 200	90,115,130 145,165 200	115,130 145,165 200,215	70,75,90 100,115 130,145	115,130 145,165 200,215	90,100,115 130,145 165,200	130,145 165,200 215,235	115,130 145,165 200,215
B4	4	4.5	6	6	7	6	7	7	7	7
B5	≤31	≤41	≤62	≤62	≤80	≤62	≤80	≤80	≤86	≤81
B6	M3,M4,M5	M3,M4 M5,M5	M4,M5 M6,M6	M4,M5 M6,M6	M6,M8 M10,M12	M5,M6 M8	M6,M8 M10,M12	M6,M8 M10,M12	M8,M10 M12	M6,M8 M10,M12
B7	60	60	90	90	120	90	142	120	142	142
B8	62	62,80,90	90,115,120	90,115,120	120,140,178	90,115,120	120,142 178,192	120,140,178	182,200,220	120,142 178,192

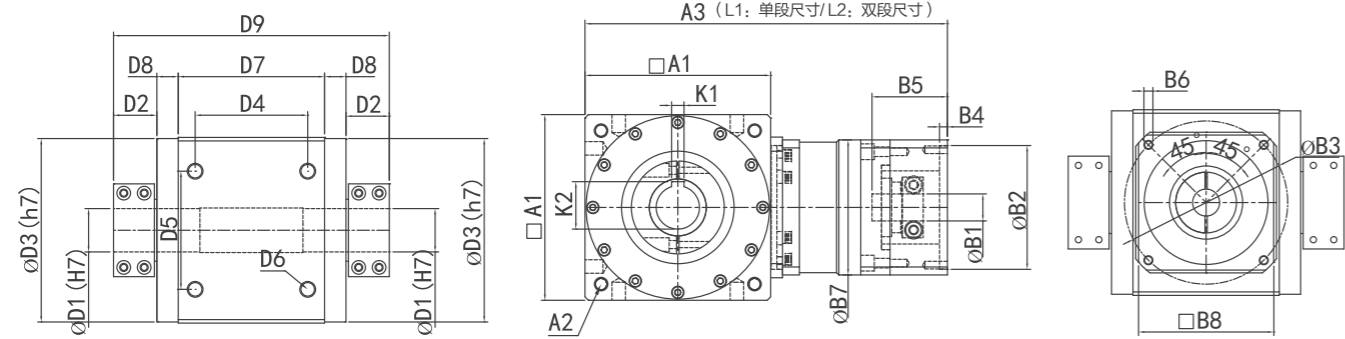
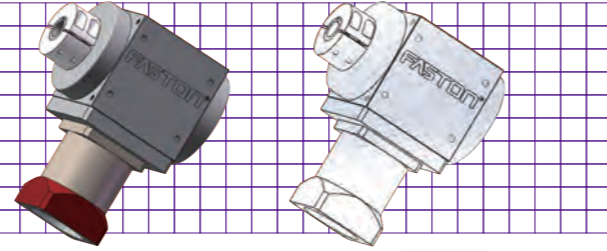
1. (*)新增中空轴孔径(mm)。2.实际尺寸依2D/3D图档为准。3.连续使用12时/日以上寿命将缩短为1/2。
1. (*) Added hollow shaft bore (mm). 2. The actual size is subject to the 2D/3D drawing file. 3. The service life will be shortened to 1/2 when used continuously for 12 hours/day.

尺寸 Size	FTX070A	FTX085A	FTX85AY	FTX105A	FTX125A	FTX125B	FTX150A	FTX150B	FTX180A	FTX180B
D1	13	15	15	25	30	30	40	65	*40/50	*40/50
D2	20	26	26	27	26	26	35	36.5	40.5	40.5
D3	66	82	82	100	120	120	135	195	165	165
D4	54	68	68	80	100	100	120	141	141.42	141.42
D5	50	52	52	60	80	80	100	130	141.42	141.42
D6	4-M5*P0.8	4-M6*P1.0	4-M6*P1.0	4-M8*P1.25	4-M8*P1.25	4-M8*P1.25	4-M10*P1.5	4-M14*P2.0	4-M12*P1.75	4-M12*P1.75
D7	70	85	85	105	125	125	142	142	180	180
D8	16.5	15.5	15.5	18.5	19.5	19.5	20	13	21	21
D9	143	168	168	196	216	216	260	260	305	305
A1	70	85	85	105	125	125	142	142	180	180
A2	P.C.D φ 86 4-M5*P0.8	P.C.D φ 100 4-M6*P1.0	P.C.D φ 100 4-M6*P1.0	P.C.D φ 118 4-M8*P1.25	P.C.D φ 145 4-M8*P1.25	P.C.D φ 145 4-M8*P1.25	P.C.D φ 185 4-M10*P1.5	P.C.D φ 240 4-M16*P2.0	P.C.D φ 200 4-M12*P1.75	P.C.D φ 200 4-M12*P1.75
A3 (L1; 单段尺寸)	159	177	210	232	290	266	342	322	409	367
A3 (L2; 单段尺寸)	180	198	237	259	321	293	388	353	455	413
B1	6.35,8,9 11,14	6.35,8,9 11,14, 16,19	14,16,19 22,24,28 32,35	14,16,19 22,24,28 32,35	19,22,24 28,32,35 38,42	11,14,16 19,22,24	19,22,24 28,32,35 38,42	11,14,16 19,22,24 35,38	19,22,24 28,32,35 38,42	19,22,24 28,32,35 38,42
B2	30,38,1, 40,50,60	30,36,38,1 40,50 60,70	70,80,95 110,114.3 130	70,80,95 110,114.3 130	95,110 114.3,130 180	50,60,70 80,95,110	95,110 114.3,130 180	95,110 114.3,130 180,200	110,114.3 130,165 180,200	95,110 114.3,130 180
B3	45,46,66.7 70,70.7,75	45,46,66.7 70,70.7 75,90	90,115,130 145,165 200	90,115,130 145,165 200	115,130 145,165 200,215	70,75,90 100,115 130,145	115,130 145,165 200,215	90,115,130 145,165 200	130,145 165,200 215,235	115,130 145,165 200,215
B4	4	4.5	6	6	7	6	7	7	7	7
B5	≤31	≤41	≤62	≤62	≤80	≤62	≤80	≤80	≤86	≤81
B6	M3,M4,M5	M3,M4 M5,M5	M4,M5 M6,M6	M4,M5 M6,M6	M6,M8 M10,M12	M5,M6 M8	M6,M8 M10,M12	M6,M8 M10,M12	M8,M10 M12	M6,M8 M10,M12
B7	60	60	90	90	120	90	142	120	142	142
B8	62	62,80,90	90,115,120	90,115,120	120,140,178	90,115,120	120,142 178,192	120,140,178	182,200,220	120,142 178,192

1. (*)新增中空轴孔径(mm)。2.实际尺寸依2D/3D图档为准。3.连续使用12时/日以上寿命将缩短为1/2。
1. (*) Added hollow shaft bore (mm). 2. The actual size is subject to the 2D/3D drawing file. 3. The service life will be shortened to 1/2 when used continuously for 12 hours/day.

性能资料 PERFORMANCE DATA

FTX-A输入带行星直角减速器
FTX-A input with planetary right angle reducer
减速比ratio 1/3~1/100
2C-K双中空轴带键槽(夹紧环)型式

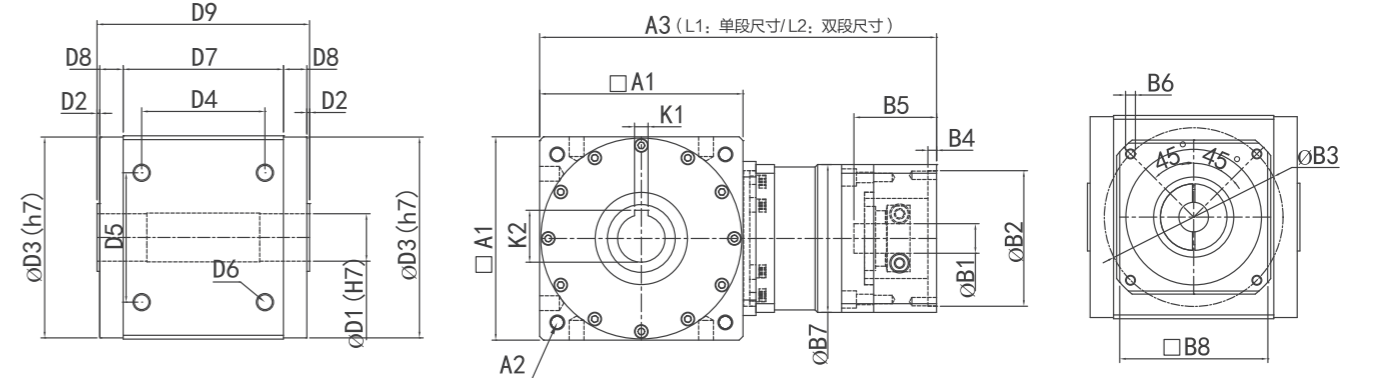
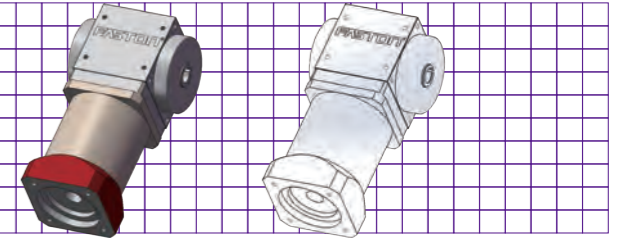


尺寸 Size	FTX070A	FTX085A	FTX85AY	FTX105A	FTX125A	FTX125B	FTX150A	FTX150B	FTX180A	FTX180B
D1	13	15	15	22	28	28	35	35	*40/50	*40/50
D2	20	26	26	27	26	26	35	35	40.5	40.5
D3	66	82	82	100	120	120	135	135	165	165
D4	54	68	68	80	100	100	120	120	141.42	141.42
D5	50	52	52	60	80	80	100	100	141.42	141.42
D6	4-M5*P0.8	4-M6*P1.0	4-M6*P1.0	4-M8*P1.25	4-M8*P1.5	4-M8*P1.25	4-M10*P1.5	4-M10*P1.5	4-M12*P1.75	4-M12*P1.75
D7	70	85	85	105	125	125	142	142	180	180
D8	16.5	15.5	15.5	18.5	19.5	19.5	20	20	21	21
D9	143	168	168	196	216	216	260	260	305	305
A1	70	85	85	105	125	125	142	142	180	180
A2	P.C.D φ 86 4-M5*P0.8	P.C.D φ 100 4-M6*P1.0	P.C.D φ 100 4-M6*P1.0	P.C.D φ 118 4-M8*P1.25	P.C.D φ 145 4-M8*P1.25	P.C.D φ 145 4-M8*P1.25	P.C.D φ 185 4-M10*P1.5	P.C.D φ 185 4-M10*P1.5	P.C.D φ 200 4-M12*P1.75	P.C.D φ 200 4-M12*P1.75
A3 (L1: 单段尺寸)	159	177	210	232	290	266	342	322	409	367
A3 (L2: 单段尺寸)	180	198	237	259	321	293	388	353	455	413
K1	4	5	5	6	8	8	10	10	12/14	12/14
K2	14.7	17.3	17.3	24.8	31.3	31.3	38.3	38.3	43.3/53.5	43.3/53.5
B1	6,35,8,9 11,14	6,35,8,9 11,14, 16,19	14,16,19 22,24,28 32,35	14,16,19 22,24,28 32,35	19,22,24 28,32,35 38,42	11,14,16 19,22,24	19,22,24 28,32,35 38,42	16,19,22 24,28,32 35,38	19,22,24 28,32,35 38,42	19,22,24 28,32,35 38,42
B2	30,38,1, 40,50,60	30,36,38.1 40,50 60,70	70,80,95 110,114.3 130	70,80,95 110,114.3 130	95,110 114.3,130 180	50,60,70 80,95,110	95,110 114.3,130 180	70,80,95 110,114.3 130	110,114.3 130,165 180,200	95,110 114.3,130 180
B3	45,46,66.7 70,70.7,75	45,46,66.7 70,70.7 75,90	90,115,130 145,165 200	90,115,130 145,165 200	115,130 145,165 200,215	70,75,90 100,115 130,145	115,130 145,165 200,215	90,100,115 130,145 165,200	130,145 165,200 215,235	115,130 145,165 200,215
B4	4	4.5	6	6	7	6	7	7	7	7
B5	≤31	≤41	≤62	≤62	≤80	≤62	≤80	≤80	≤86	≤81
B6	M3,M4,M5	M3,M4 M5,M5	M4,M5 M6,M6	M4,M5 M6,M6	M6,M8 M10,M12	M5,M6 M8	M6,M8 M10,M12	M6,M8 M10,M12	M8,M10 M12	M6,M8 M10,M12
B7	60	60	90	90	120	90	142	120	142	142
B8	62	62,80,90	90,115,120	90,115,120	120,140,178	90,115,120	120,142 178,192	120,140,178	182,200,220	120,142 178,192

1. (*)新增中空轴孔径(mm)。2.实际尺寸依2D/3D图档为准。3.连续使用12时/日以上寿命将缩短为1/2。
1. (*) Added hollow shaft bore (mm). 2. The actual size is subject to the 2D/3D drawing file. 3. The service life will be shortened to 1/2 when used continuously for 12 hours/day.

性能资料 PERFORMANCE DATA

FTX-A输入带行星直角减速器
FTX-A input with planetary right angle reducer
减速比ratio 1/3~1/100
CR中空轴带键槽型式

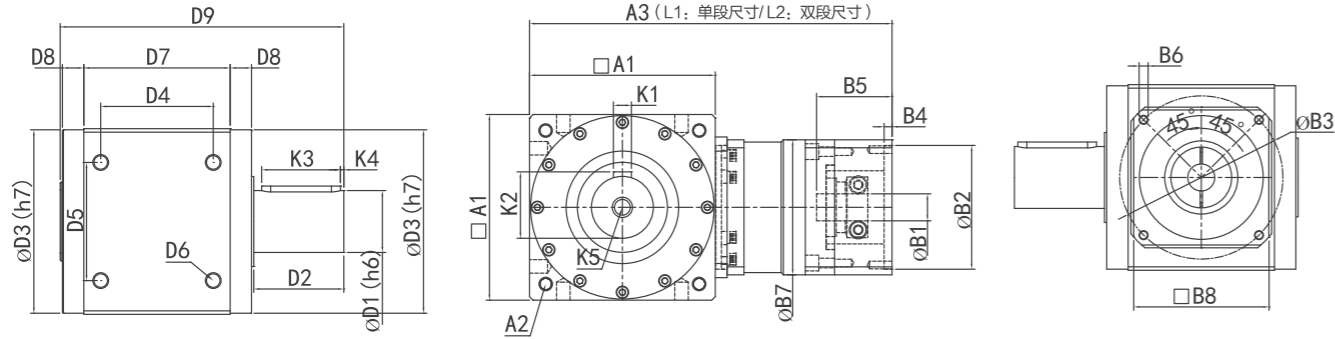
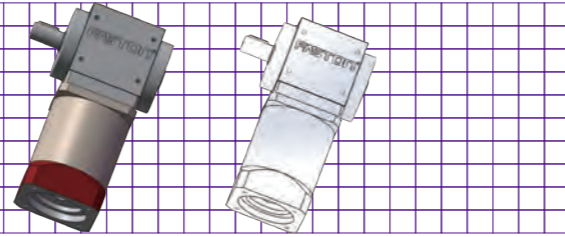


尺寸 Size	FTX070A	FTX085A	FTX85AY	FTX105A	FXW125A	FTX125B	FTX150A	FTX150B	FTX180A	FTX 180B
D1	13	15	15	22	28	28	35	35	*40/50	*40/50
D2	2	2	2	2	2	2	2	2	2	2
D3	66	82	82	100	120	120	135	135	165	165
D4	54	68	68	80	100	100	120	120	141.42	141.42
D5	50	52	52	60	80	80	100	100	141.42	141.42
D6	4-M5*P0.8	4-M6*P1.0	4-M6*P1.0	4-M8*P1.25	4-M8*P1.5	4-M8*P1.25	4-M10*P1.5	4-M10*P1.5	4-M12*P1.75	4-M12*P1.75
D7	70	85	85	105	125	125	142	142	180	180
D8	16.5	15.5	15.5	18.5	19.5	19.5	20	20	21	21
D9	107	120	120	146	168	168	194	260	226	226
A1	70	85	85	105	125	125	142	142	180	180
A2	P.C.D φ 86 4-M5*P0.8	P.C.D φ 100 4-M6*P1.0	P.C.D φ 100 4-M6*P1.0	P.C.D φ 118 4-M8*P1.25	P.C.D φ 145 4-M8*P1.25	P.C.D φ 145 4-M8*P1.25	P.C.D φ 185 4-M10*P1.5	P.C.D φ 185 4-M10*P1.5	P.C.D φ 200 4-M12*P1.75	P.C.D φ 200 4-M12*P1.75
A3 (L1: 单段尺寸)	159	177	210	232	290	266	342	322	409	367
A3 (L2: 单段尺寸)	180	198	237	259	321	293	388	353	455	413
K1	4	5	5	6	8	8	10	10	12/14	12/14
K2	14.7	17.3	17.3	24.8	31.3	31.3	38.3	38.3	43.3/53.5	43.3/53.5
B1	6,35,8,9 11,14	6,35,8,9 11,14, 16,19	14,16,19 22,24,28 32,35	14,16,19 22,24,28 32,35	19,22,24 28,32,35 38,42	11,14,16 19,22,24	19,22,24 28,32,35 38,42	16,19,22 24,28,32 35,38	19,22,24 28,32,35 38,42	19,22,24 28,32,35 38,42
B2	30,38,1, 40,50,60	30,36,38.1 40,50 60,70	70,80,95 110,114.3 130	70,80,95 110,114.3 130	95,110 114.3,130 180	50,60,70 80,95,110	95,110 114.3,130 180	70,80,95 110,114.3 130	110,114.3 130,165 180,200	95,110 114.3,130 180
B3	45,46,66.7 70,70.7,75	45,46,66.7 70,70.7 75,90	90,115,130 145,165 200	90,115,130 145,165 200	115,130 145,165 200,215	70,75,90 100,115 130,145	115,130 145,165 200,215	90,100,115 130,145 165,200	130,145 165,200 215,235	115,130 145,165 200,215
B4	4	4.5	6	6	7	6	7	7	7	7
B5	≤31	≤41	≤62	≤62	≤80	≤62	≤80	≤80	≤86	≤81
B6	M3,M4,M5	M3,M4 M5,M5	M4,M5 M6,M6	M4,M5 M6,M6	M6,M8 M10,M12	M5,M6 M8	M6,M8 M10,M12	M6,M8 M10,M12	M8,M10 M12	M6,M8 M10,M12
B7	60	60	90	90	120	90	142	120	142	142
B8	62	62,80,90	90,115,120	90,115,120	120,140,178	90,115,120	120,142 178,192	120,140,178	182,200,220	120,142 178,192

1. (*)新增中空轴孔径(mm)。2.实际尺寸依2D/3D图档为准。3.连续使用12时/日以上寿命将缩短为1/2。
1. (*) Added hollow shaft bore (mm). 2. The actual size is subject to the 2D/3D drawing file. 3. The service life will be shortened to 1/2 when used continuously for 12 hours/day.

性能资料 PERFORMANCE DATA

FTX-A输入带行星直角减速器
FTX-A input with planetary right angle reducer
减速比ratio 1/3~/100
P单输出轴型式

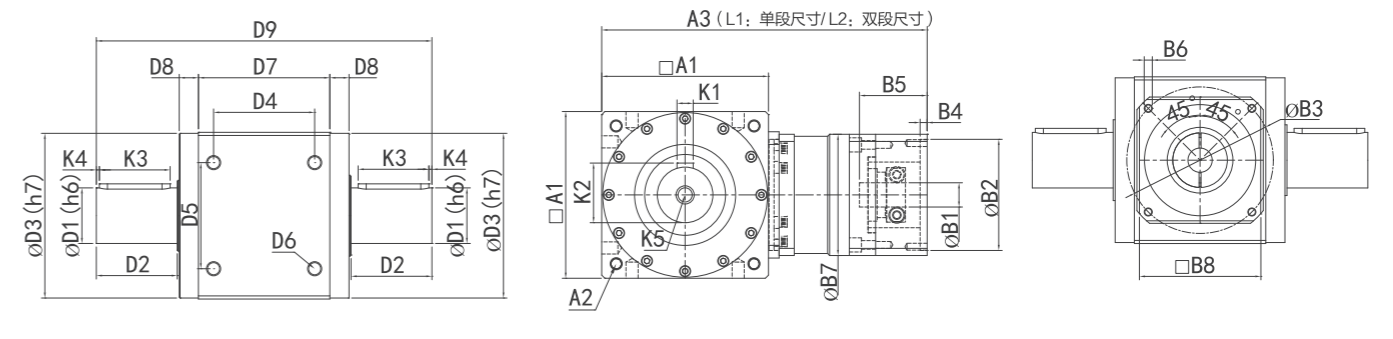
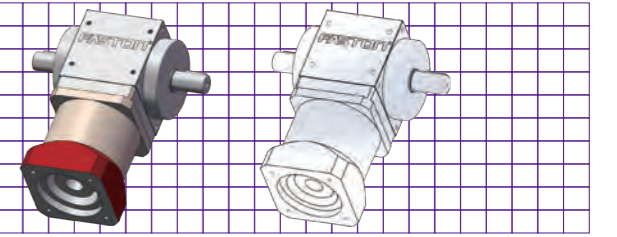


尺寸 Size	FTX045A	FTX070A	FTX085A	FTX85AY	FTX105A	FTX125A	FTX125B	FTX150A	FTX150B	FTX180A	FTX180B
D1	13	16	20	20	28	32	32	40	40	50	50
D2	20	30	35	35	40	50	50	63	63	73	73
D3	43.2	66	82	82	100	120	120	135	135	165	165
D4	36	54	68	68	80	100	100	120	120	141.42	141.42
D5	26	50	52	52	60	80	80	100	100	141.42	141.42
D6	4-M4*P0.7	4-M5*P0.8	4-M6*P1.0	4-M6*P1.0	4-M8*P1.25	4-M8*P1.5	4-M8*P1.25	4-M10*P1.5	4-M10*P1.5	4-M12*P1.75	4-M12*P1.75
D7	54	70	85	85	105	125	125	142	142	180	180
D8	10.5	16.5	15.5	15.5	18.5	19.5	19.5	20	20	21	21
D9	98	137	155	155	186	218	218	257	257	229	229
A1	46	70	85	85	105	125	125	142	142	180	180
A2	P.C.D φ53 4-M5*P0.8	P.C.D φ86 4-M5*P0.8	P.C.D φ100 4-M6*P1.0	P.C.D φ100 4-M6*P1.0	P.C.D φ118 4-M8*P1.25	P.C.D φ145 4-M8*P1.25	P.C.D φ145 4-M8*P1.25	P.C.D φ185 4-M10*P1.5	P.C.D φ185 4-M10*P1.5	P.C.D φ200 4-M12*P1.75	P.C.D φ200 4-M12*P1.75
A3 (L1: 单段尺寸)	121	159	177	210	232	290	266	342	342	409	367
A3 (L2: 单段尺寸)	141	180	198	237	259	321	293	388	388	455	413
K1	4	5	6	6	8	10	10	12	12	14	14
K2	14.5	18	22.5	22.5	31	35	35	43	43	53.5	53.5
K3	15	20	25	25	30	40	40	50	50	60	60
K4	2.5	3	3.5	3.5	3.5	3	3	3	3	3	3
K5	M4	M5	M6	M6	M8	M8	M8	M12	M12	M12	M12
B1	5,6,35,8	6,35,8,9 11,14,	6,35,8,9 11,14, 16,19	14,16,19 22,24,28 32,35	14,16,19 22,24,28 32,35	19,22,24 28,32,35 38,42	11,14,16 19,22,24	19,22,24 28,32,35 35,38	16,19,22 24,28,32	19,22,24 28,32,35 38,42	19,22,24 28,32,35 38,42
B2	22,30,38.1	30,38.1 40,50,60	30,36,38.1 40,50 60,70	70,80,95 110,114.3 130	70,80,95 110,114.3 130	95,110 114.3,130 180	50,60,70 80,95,110	95,110 114.3,130 130	70,80,95 110,114.3 130	110,114.3 130,165 180,200	95,110 114.3,130 180
B3	43.8,45,46 66.7,70.7	45,46,66.7 70,70.7,75	45,46,66.7 70,70.7 75,90	90,115,130 145,165 200	90,115,130 145,165 200	115,130 145,165 200,215	70,75,90 100,115 130,145	115,130 130,145 165,200 215,235	90,100,115 130,145 165,200	130,145 165,200 215,235	115,130 145,165 200,215
B4	3	4	4.5	6	6	7	6	7	7	7	7
B5	≤28	≤31	≤41	≤62	≤62	≤80	≤62	≤80	≤80	≤86	≤81
B6	M3,M4	M3,M4,M5	M3,M4 M5,M5	M4,M5 M6,M6	M4,M5 M6,M6	M6,M8 M10,M12	M5,M6 M8	M6,M8 M10,M12	M6,M8 M10,M12	M8,M10 M12	M6,M8 M10,M12
B7	60	60	60	90	90	120	90	142	120	142	142
B8	46	62	62,80,90	90,115,120	90,115,120	120,140,178	90,115,120	120,142 178,192	120,140,178	182,200,220	120,142 178,192

1. (*) 新增中空轴孔径(mm)。2. 实际尺寸依2D/3D图档为准。3. 连续使用12时/日以上寿命将缩短为1/2。
1. (*) Added hollow shaft bore (mm). 2. The actual size is subject to the 2D/3D drawing file. 3. The service life will be shortened to 1/2 when used continuously for 12 hours/day.

性能资料 PERFORMANCE DATA

FTX-AS输入带行星直角减速器
FTX-AS input with planetary right angle reducer
减速比ratio 1/3~/100
2P双输出轴型式



尺寸 Size	FTX045A	FTX070A	FTX085A	FTX85AY	FTX105A	FTX125A	FTX125B	FTX150A	FTX150B	FTX180A	FTX180B
D1	13	16	20	20	28	32	32	40	40	50	50
D2	20	30	35	35	40	50	50	63	63	73	73
D3	43.2	66	82	82	100	120	120	135	135	165	165
D4	36	54	68	68	80	100	100	120	120	141.42	141.42
D5	26	50	52	52	60	80	80	100	100	141.42	141.42
D6	4-M4*P0.7	4-M5*P0.8	4-M6*P1.0	4-M6*P1.0	4-M8*P1.25	4-M8*P1.5	4-M8*P1.25	4-M10*P1.5	4-M10*P1.5	4-M12*P1.75	4-M12*P1.75
D7	54	70	85	85	105	125	125	142	142	180	180
D8	10.5	16.5	15.5	15.5	18.5	19.5	19.5	20	20	21	21
D9	118	167	190	190	226	268	268	320	320	302	302
A1	46	70	85	85	105	125	125	142	142	180	180
A2	P.C.D φ53 4-M5*P0.8	P.C.D φ86 4-M5*P0.8	P.C.D φ100 4-M6*P1.0	P.C.D φ100 4-M6*P1.0	P.C.D φ118 4-M8*P1.25	P.C.D φ145 4-M8*P1.25	P.C.D φ145 4-M8*P1.25	P.C.D φ185 4-M10*P1.5	P.C.D φ185 4-M10*P1.5	P.C.D φ200 4-M12*P1.75	P.C.D φ200 4-M12*P1.75
A3 (L1: 单段尺寸)	121	159	177	210	232	290	266	342	322	409	367
A3 (L2: 单段尺寸)	141	180	198	237	259	321	293	388	353	455	413
K1	4	5	6	6	8	10	10	12	12	14	14
K2	14.5	18	22.5	22.5	31	35	35	43	43	53.5	53.5
K3	15	20	25	25	30	40	40	50	50	60	60
K4	2.5	3	3.5	3.5	3.5	3	3	3	3	3	3
K5	M4	M5	M6	M6	M8	M8	M8	M12	M12	M12	M12
B1	5,6,35,8	6,35,8,9 11,14,	6,35,8,9 11,14, 16,19	14,16,19 22,24,28 32,35	14,16,19 22,24,28 32,35	19,22,24 28,32,35 38,42	11,14,16 19,22,24	19,22,24 28,32,35 35,38	16,19,22 24,28,32	19,22,24 28,32,35 38,42	19,22,24 28,32,35 38,42
B2	22,30,38.1	30,38.1 40,50,60	30,36,38.1 40,50 60,70	70,80,95 110,114.3 130	70,80,95 110,114.3 130	95,110 114.3,130 180	50,60,70 80,95,110	95,110 114.3,130 130	70,80,95 110,114.3 130	110,114.3 130,165 180,200	95,110 114.3,130 180
B3	43.8,45,46 66.7,70.7	45,46,66.7 70,70.7,75	45,46,66.7 70,70.7 75,90	90,115,130 145,165 200	90,115,130 145,165 200	115,130 145,165 200,215	70,75,90 100,115 130,145	115,130 130,145 165,200 215,235	90,100,115 130,145 165,200	130,145 165,200 215,235	115,130 145,165 200,215
B4	3	4	4.5	6	6	7	6	7	7	7	7
B5	≤28	≤31	≤41	≤62	≤62	≤80	≤62	≤80	≤80	≤86	≤81
B6	M3,M4	M3,M4,M5	M3,M4 M5,M5	M4,M5 M6,M6	M4,M5 M6,M6	M6,M8 M10,M12	M5,M6 M8	M6,M8 M10,M12	M6,M8 M10,M12	M8,M10 M12	M6,M8 M10,M12
B7	46	60	60	90	90	120	90	142	120	142	142
B8	46	62	62,80,90	90,115,120	90,115,120	120,140,178	90,115,120	120,142 178,192	120,140,178	182,200,220	120,142 178,192

1. (*) 新增中空轴孔径(mm)。2. 实际尺寸依2D/3D图档为准。3. 连续使用12时/日以上寿命将缩短为1/2。
1. (*) Added hollow shaft bore (mm). 2. The actual size is subject to the 2D/3D drawing file. 3. The service life will be shortened to 1/2 when used continuously for 12 hours/day.