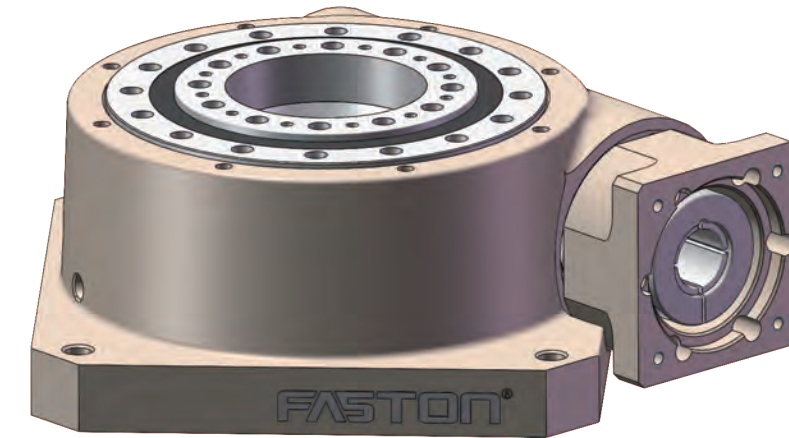


## FH系列 FH SERIES



### 产品特点/Product characteristics

#### 高精度 High precision

滚轮和凸轮无间隙配合, 能保持较高的分割精度和高扭矩的情况下, 确保承担重负载的能力。

The roller and the cam have no clearance fit, which can maintain high segmentation accuracy and high torque, ensuring the ability to bear heavy loads.

#### 高速性 High speed

在精密加工的滚轮和凸轮的锥度支撑筋上施加预压负荷, 完全避免产生间隙, 使转盘运行平稳高速。完全受控的加速度可以减少由负荷或振动产生的冲击。

Pre-loading is applied to the tapered support ribs of precision-machined rollers and cams to completely avoid gaps and make the turntable run smoothly and at high speed. Fully controlled acceleration can reduce shock caused by load or vibration.

#### 环面包络滚子结构简单 Simple structure of ring bread roll

此结构采用凸轮输入和转轴输出, 能提供任意运动。

This structure adopts cam input and shaft output, which can provide arbitrary motion.

#### 平稳性 Stationarity

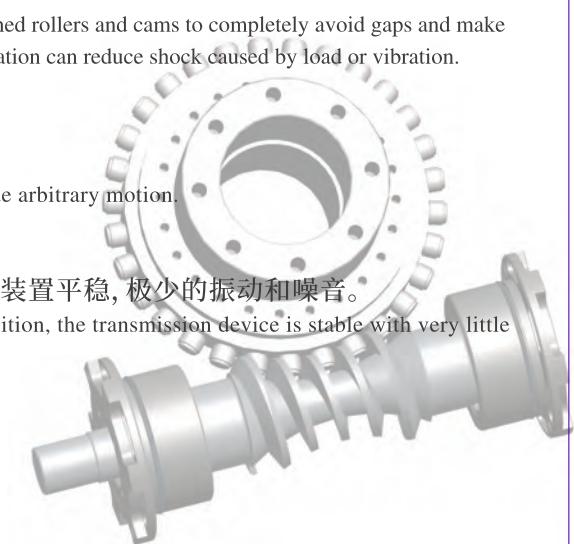
由于输出轴的设计是在任何位置连续旋转, 因此, 传动装置平稳, 极少的振动和噪音。

Since the output shaft is designed to continuously rotate at any position, the transmission device is stable with very little vibration and noise.

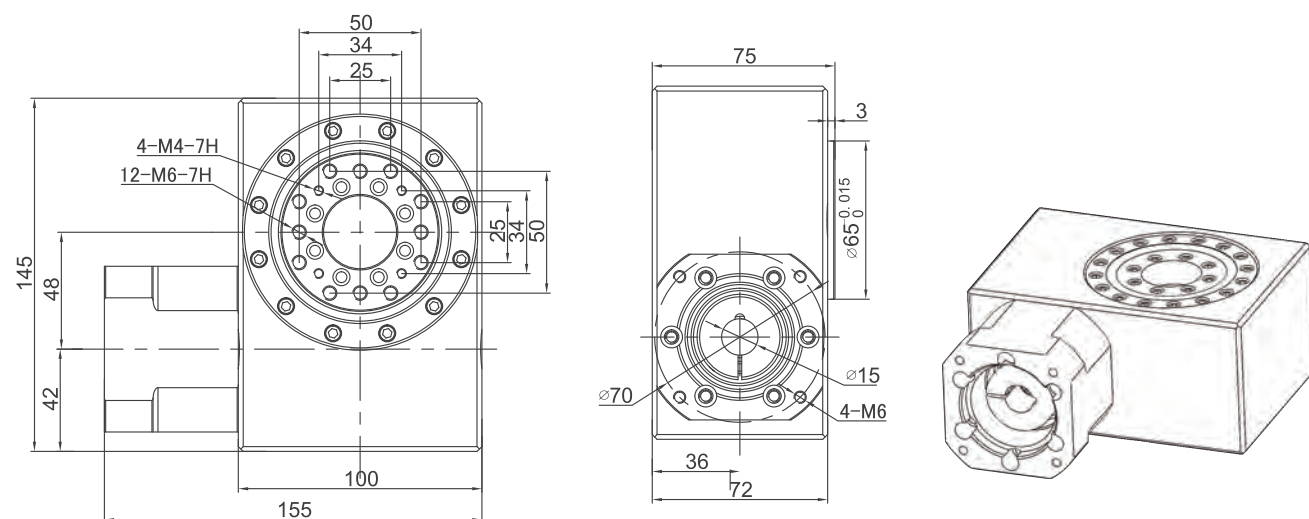
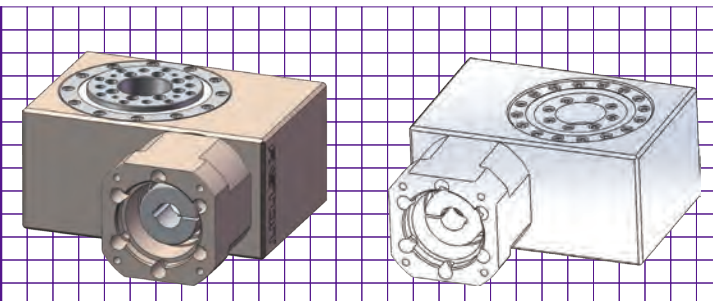
#### 规格多样 Various specifications

可以根据客户需求提供各种型号的产品。

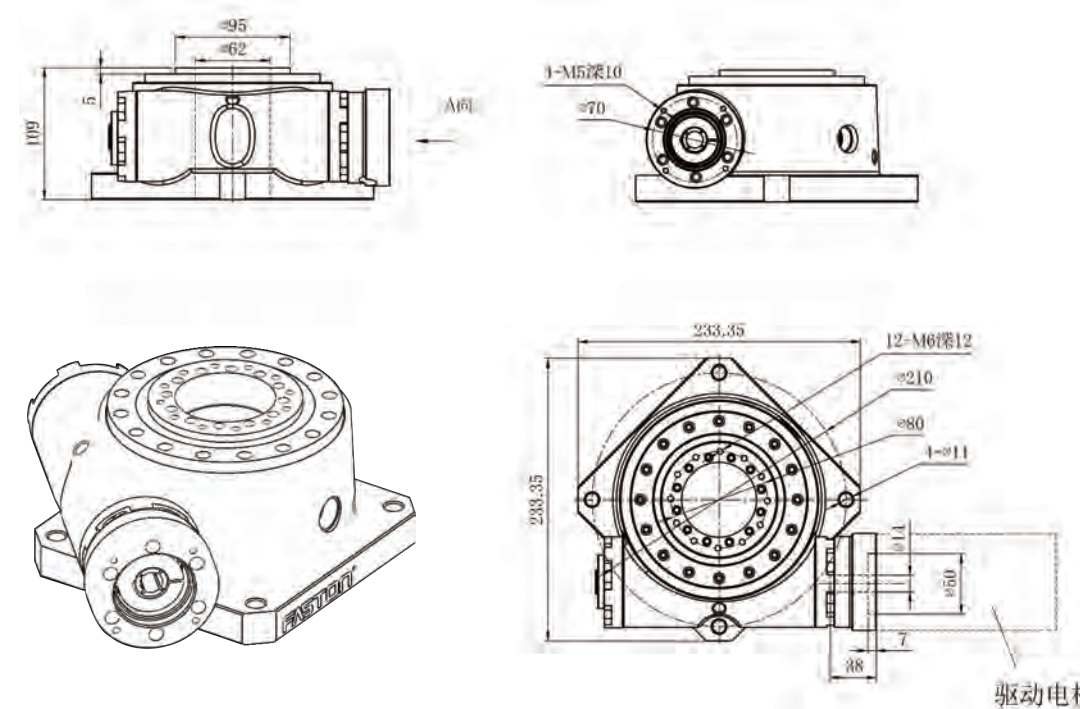
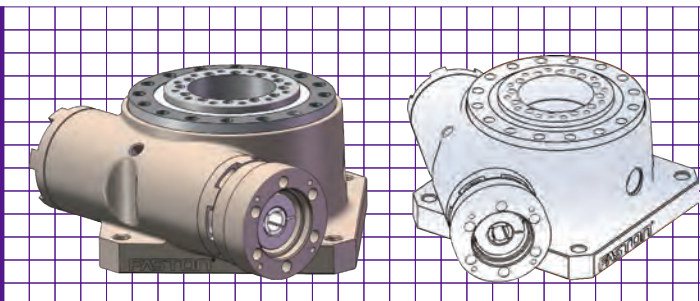
Can provide various types of products based on customer needs.



FH48-HP 性能参数  
THE PERFORMANCE  
PARAMETER OF FH48-HP



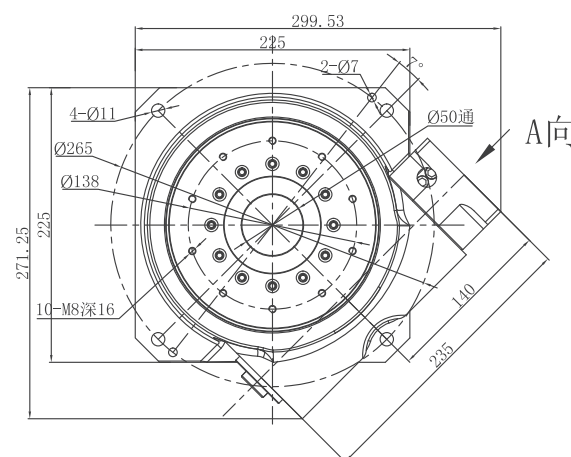
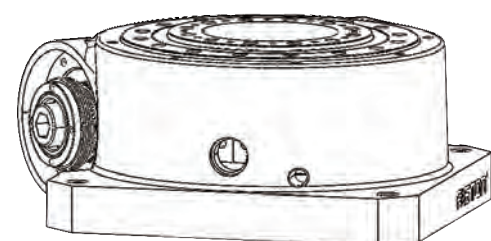
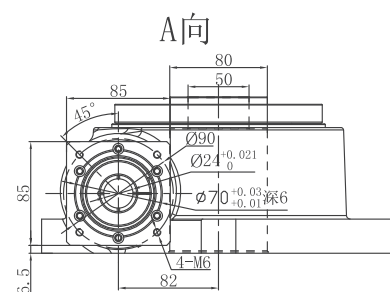
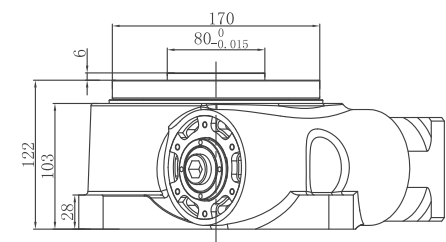
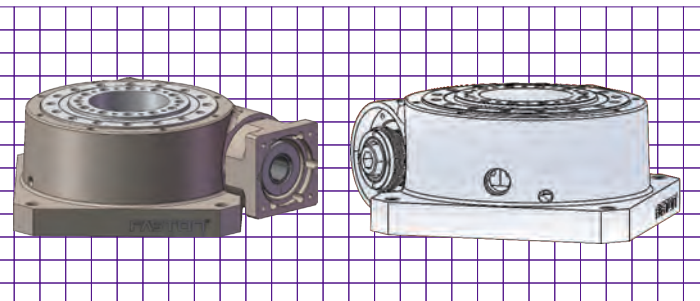
FH68-HP 性能参数  
THE PERFORMANCE  
PARAMETER OF FH68-HP



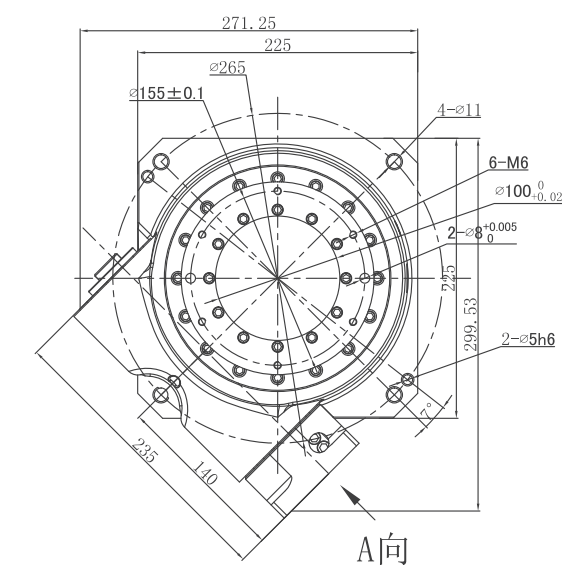
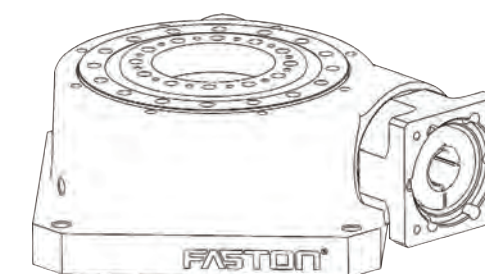
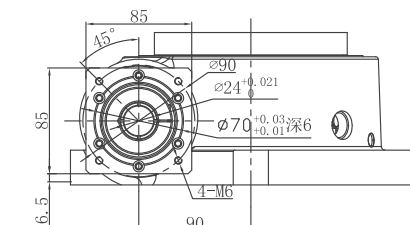
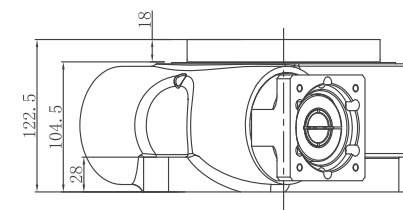
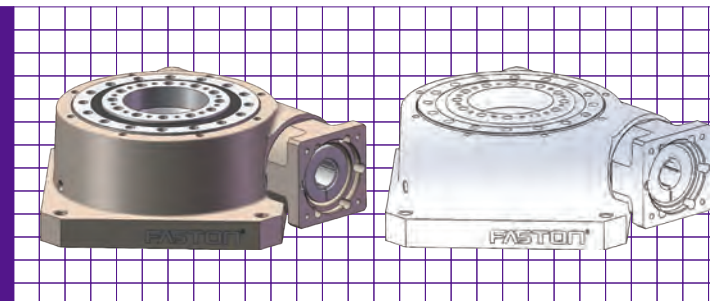
性能参数 Performance parameter		
马达种类 Motor type		各品牌200W伺服马达 200W servo motors of various brands
旋转平台轴承 Rotating platform bearings		交叉滚子轴承 Cross roller bearing
径向载荷 Allowable torque	N.m	8
容许转速 Allowable speed	rpm	300 (盘面)
减速比 Reduction ratio		1: 10
容许轴向负载 Allowable axial load	N	15
容许惯性力矩负荷 Allowable moment of inertia load	N.m	10
定位精度 Positioning accuracy	sec	±5
重复定位精度 Repeatability	sec	±5 (0.001°)
施转平台平行度 Parallelism of transfer platform	mm	±0.005
旋转平台同心度 Concentricity of rotating platform	mm	±0.01
防护等级 Protection level	IP	40
精度寿命 Accuracy life	H	20000
重量 Weight	kg	8.5

性能参数 Performance parameter		
马达种类 Motor type		各品牌400W伺服马达 400W servo motors of various brands
旋转平台轴承 Rotating platform bearings		交叉滚子轴承 Cross roller bearing
容许转矩 Allowable torque	N.m	30
容许输入转速 Allowable input speed	r/min	<2000
减速比 Reduction ratio		1: 20
容许推力负载 Allowable axial load	kgf	250
容许惯性力矩负荷 Allowable moment of inertia load	N.m	75
定位精度 Positioning accuracy	sec	±10
重复定位精度 Repeatability	sec	±5 (0.001°)
施转平台平行度 Parallelism of transfer platform	mm	±0.005
旋转平台同心度 Concentricity of rotating platform	mm	±0.01
防护等级 Protection level	IP	40
精度寿命 Accuracy life	H	20000
重量 Weight	kg	16

FH82-HP 性能参数  
THE PERFORMANCE  
PARAMETER OF FH82-HP



FH90-HP 性能参数  
THE PERFORMANCE  
PARAMETER OF FH90-HP



性能参数 Performance parameter

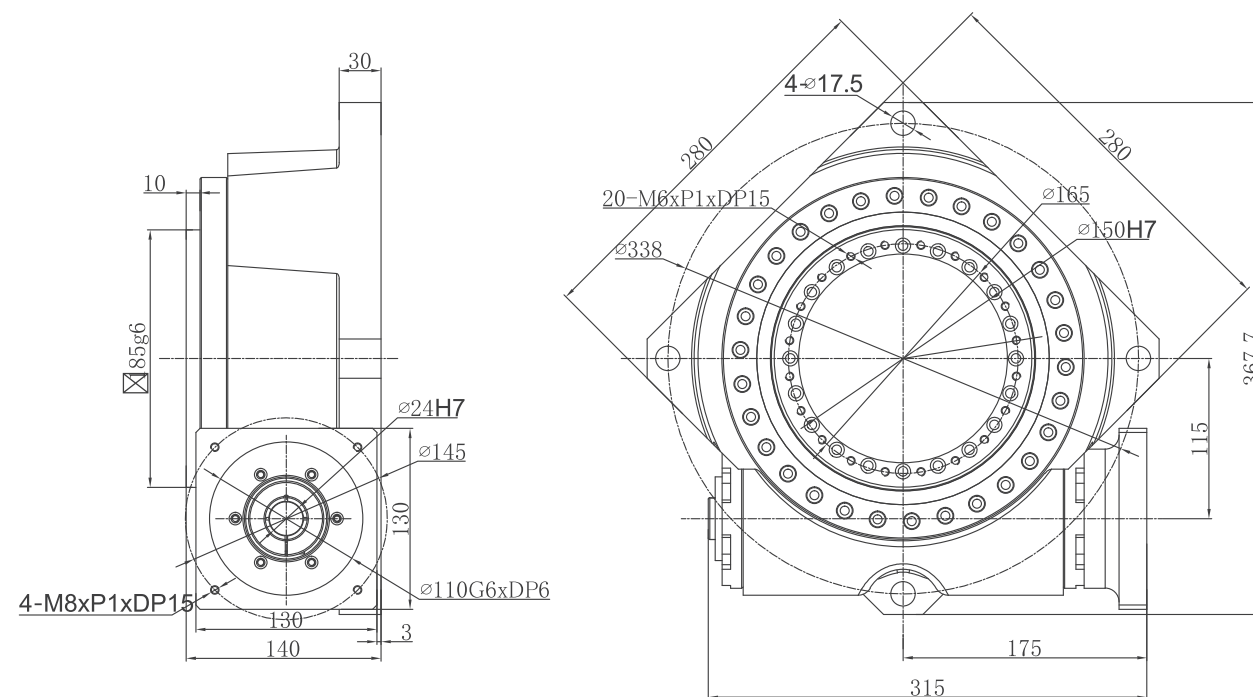
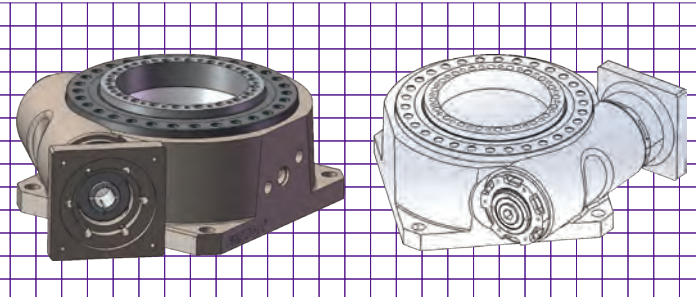
马达种类 Motor type	各品牌750W伺服马达 750W servo motors of various brands	
旋转平台轴承 Rotating platform bearings	交叉滚子轴承 Cross roller bearing	
容许转矩 Allowable torque	N.m	68
容许输入转速 Allowable input speed	r/min	<2000
减速比 Reduction ratio	1: 24	
容许推力负载 Allowable axial load	N	500
容许惯性力矩负荷 Allowable moment of inertia load	N.m	200
定位精度 Positioning accuracy	sec	± 10
重复定位精度 Repeatability	sec	± 5 ( 0.001° )
施转平台平行度 Parallelism of transfer platform	mm	±0.005
旋转平台同心度 Concentricity of rotating platform	mm	±0.01
防护等级 Protection level	IP	40
精度寿命 Accuracy life	H	20000
重量 Weight	kg	24

性能参数 Performance parameter

马达种类 Motor type	各品牌750W伺服马达 750W servo motors of various brands	
旋转平台轴承 Rotating platform bearings	交叉滚子轴承 Cross roller bearing	
容许转矩 Allowable torque	N.m	72
容许输入转速 Allowable input speed	rpm	<2000
减速比 Reduction ratio	1: 20	
容许推力负载 Allowable axial load	N.m	500
容许惯性力矩负荷 Allowable moment of inertia load	N.m	220
定位精度 Positioning accuracy	sec	± 15
重复定位精度 Repeatability	sec	± 5 ( 0.001° )
施转平台平行度 Parallelism of transfer platform	mm	± 0.005
旋转平台同心度 Concentricity of rotating platform	mm	± 0.01
防护等级 Protection level	IP	40
精度寿命 Accuracy life	H	20000
重量 Weight	kg	28

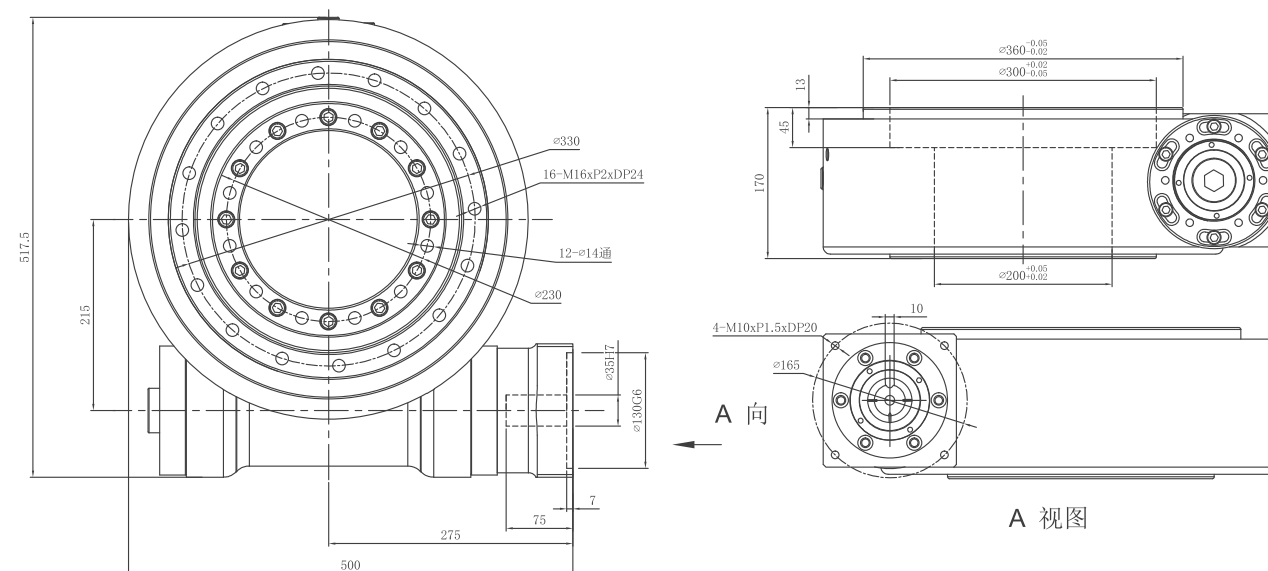
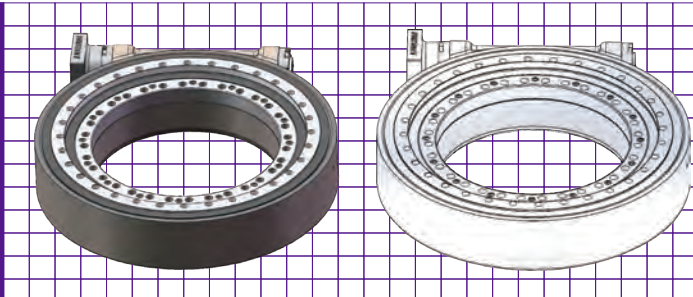


FH115-HP 性能参数  
THE PERFORMANCE  
PARAMETER OF FH115-HP



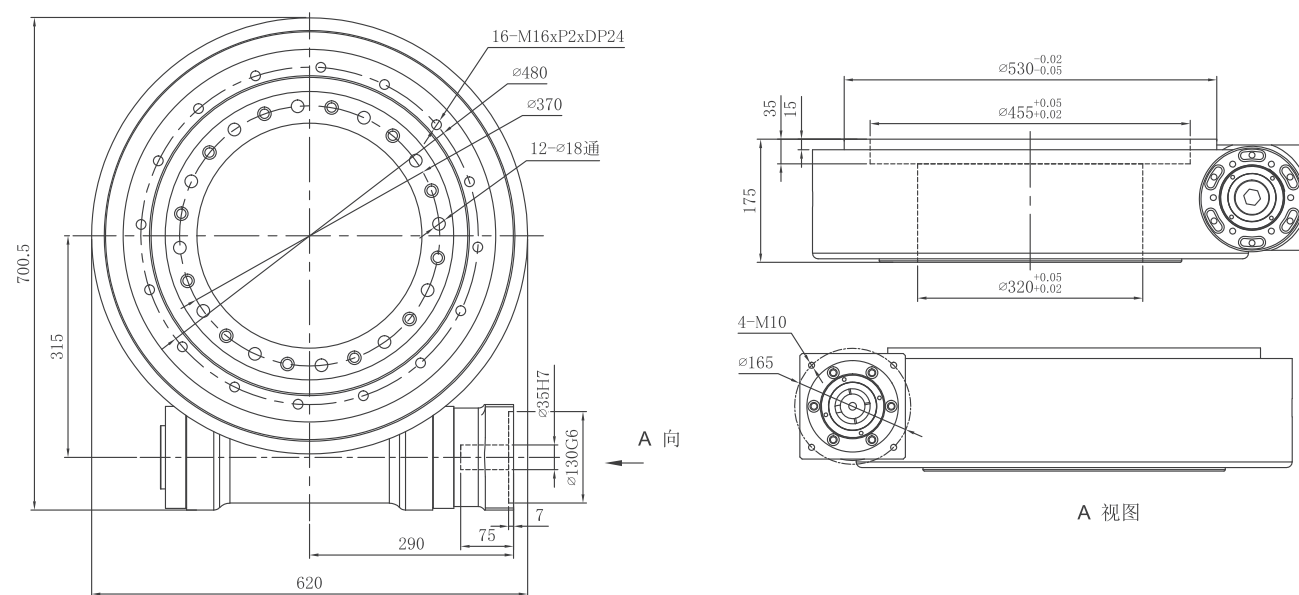
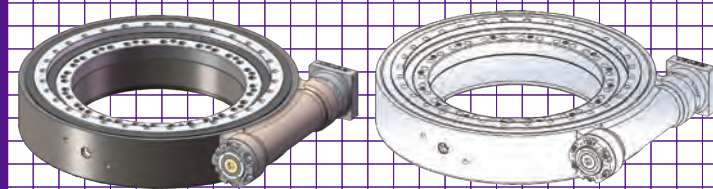
性能参数 Performance parameter		
马达种类 Motor type		各品牌1.5KW伺服马达 1.5KW servo motors of various brands
旋转平台轴承 Rotating platform bearings		交叉滚子轴承 Cross roller bearing
容许转矩 Allowable torque	N.m	90
容许输入转速 Allowable input speed	r/min	<2000
减速比 Reduction ratio		1: 20
容许推力负载 Allowable axial load	kgf	800
容许惯性力矩负荷 Allowable moment of inertia load	N.m	250
定位精度 Positioning accuracy	sec	± 15
重复定位精度 Repeatability	sec	± 5 ( 0.001° )
施转平台平行度 Parallelism of transfer platform	mm	±0.005
旋转平台同心度 Concentricity of rotating platform	mm	±0.01
防护等级 Protection level	IP	40
精度寿命 Accuracy life	H	20000
重量 Weight	kg	45

FH215-HP 性能参数  
THE PERFORMANCE  
PARAMETER OF FH215-HP



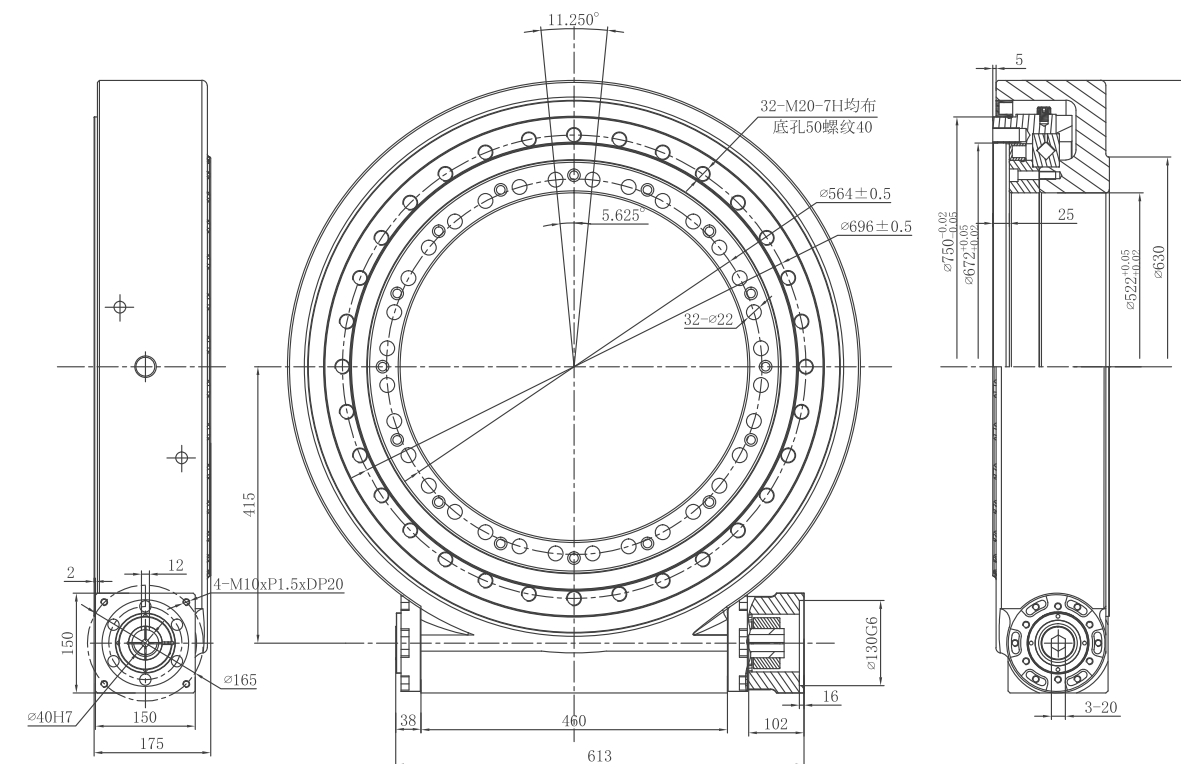
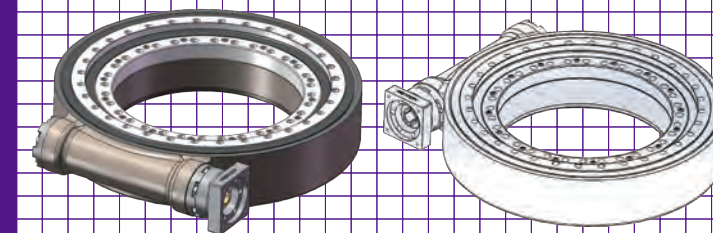
性能参数 Performance parameter		
马达种类 Motor type		行星+伺服马达 Planet + Servo Motor
旋转平台轴承 Rotating platform bearings		交叉滚子轴承 Cross roller bearing
径向载荷 Radial load	T	1.5
容许输入转速 Allowable input speed	r/min	<1500
减速比 Reduction ratio		1: 40
容许轴向负载 Allowable axial load	kg	250
容许惯性力矩负荷 Allowable moment of inertia load	KN.m	120
定位精度 Positioning accuracy	sec	± 30
重复定位精度 Repeatability	sec	± 5 ( 0.001° )
施转平台平行度 Parallelism of transfer platform	mm	± 0.005
旋转平台同心度 Concentricity of rotating platform	mm	± 0.01
防护等级 Protection level	IP	40
精度寿命 Accuracy life	H	20000
重量 Weight	kg	120

FH315-HP 性能参数  
THE PERFORMANCE  
PARAMETER OF FH315-HP



性能参数 Performance parameter		
马达种类 Motor type		行星+伺服马达 Planet + Servo Motor
旋转平台轴承 Rotating platform bearings		交叉滚子轴承 Cross roller bearing
径向载荷 Radial load	T	2.5
容许输入转速 Allowable input speed	r/min	<1500
减速比 Reduction ratio		1: 60
容许轴向负载 Allowable axial load	kg	320
容许惯性力矩负荷 Allowable moment of inertia load	KN.m	180
定位精度 Positioning accuracy	sec	± 30
重复定位精度 Repeatability	sec	±5 ( 0.001° )
施转平台平行度 Parallelism of transfer platform	mm	±0.005
旋转平台同心度 Concentricity of rotating platform	mm	±0.01
防护等级 Protection level	IP	40
精度寿命 Accuracy life	H	20000
重量 Weight	kg	200

FH415-HP 性能参数  
THE PERFORMANCE  
PARAMETER OF FH415-HP



性能参数 Performance parameter		
马达种类 Motor type		行星+伺服马达 Planet + Servo Motor
旋转平台轴承 Rotating platform bearings		交叉滚子轴承 Cross roller bearing
径向载荷 Radial load	T	4.5
容许输入转速 Allowable input speed	r/min	<1500
减速比 Reduction ratio		1: 60
容许轴向负载 Allowable axial load	kg	480
容许惯性力矩负荷 Allowable moment of inertia load	KN.m	277
定位精度 Positioning accuracy	sec	± 30
重复定位精度 Repeatability	sec	±5 ( 0.001° )
施转平台平行度 Parallelism of transfer platform	mm	±0.005
旋转平台同心度 Concentricity of rotating platform	mm	±0.01
防护等级 Protection level	IP	40
精度寿命 Accuracy life	H	20000
重量 Weight	kg	300